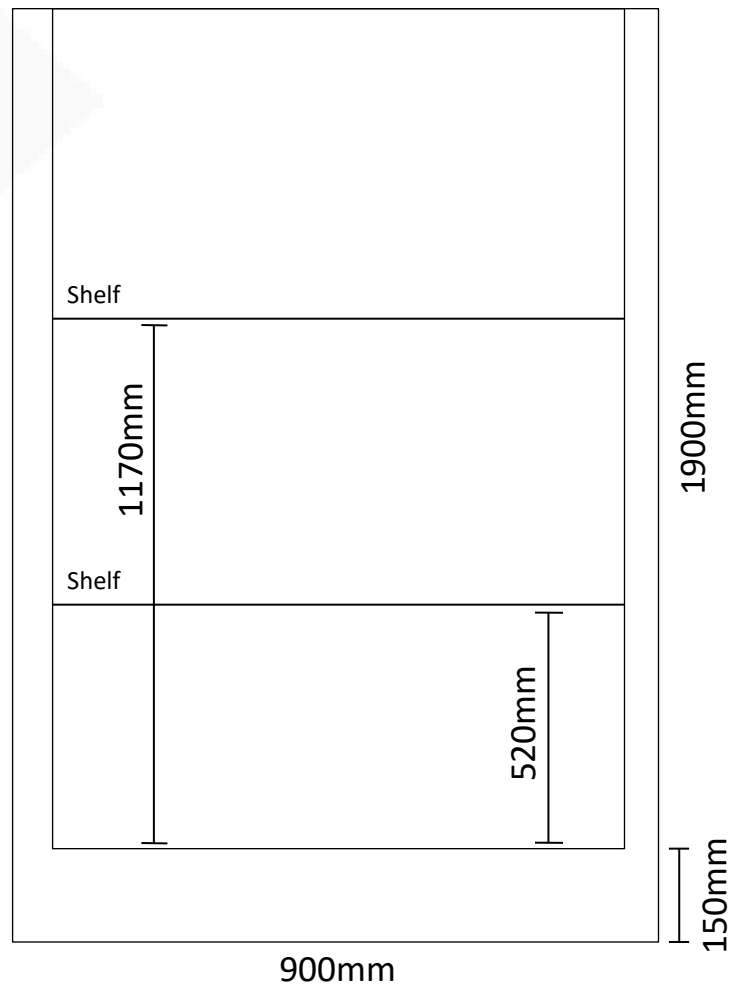
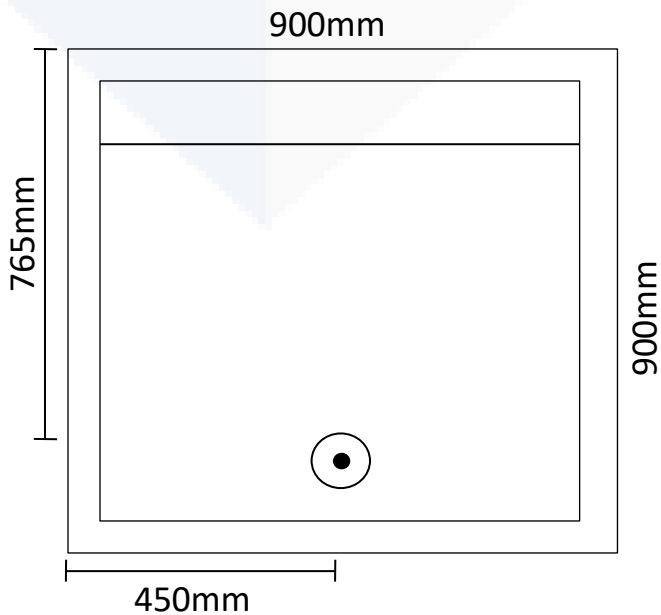


Showers Cubicles

900 x 900 x 1900 (Front Waste)

Transportable Homes
 Staff Showers
 Renovations
 Shed Showers
 Ablutions
 Pool Showers



Note: Drawings are a guide only.