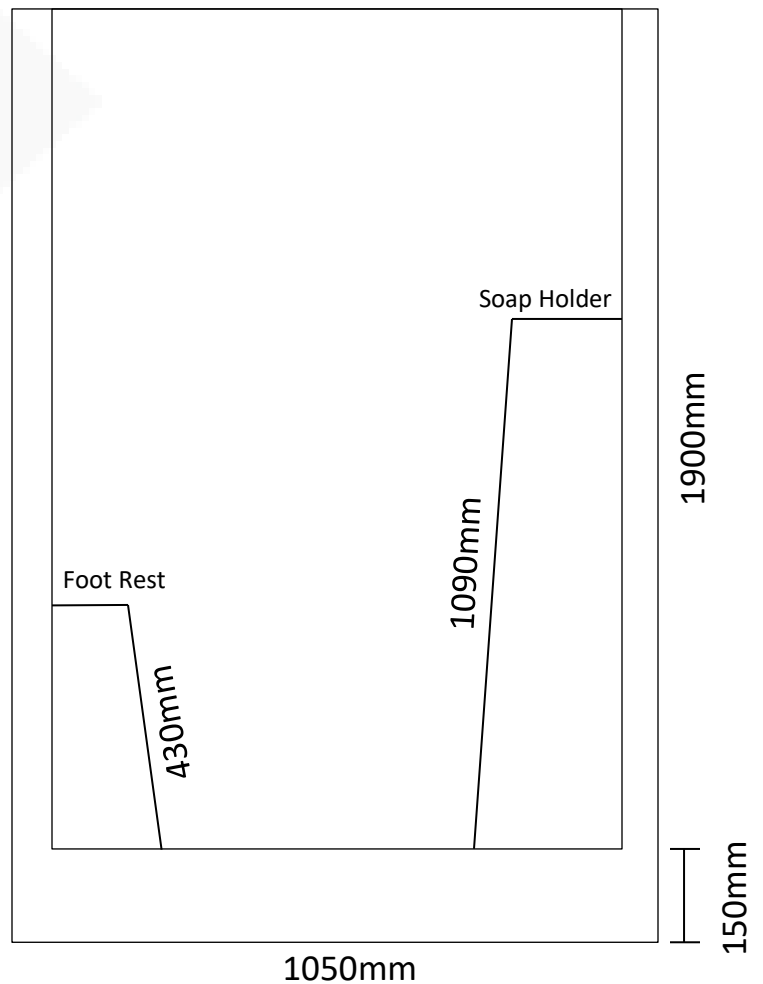
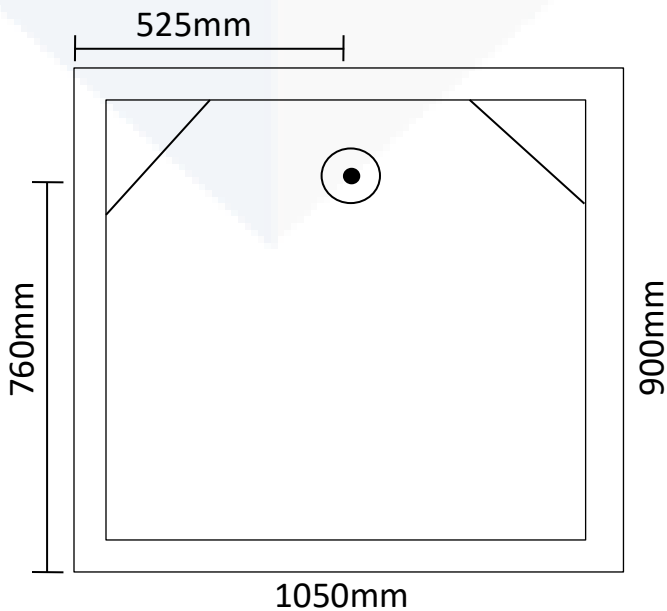


Showers Cubicles

1050 x 900 x 1900 with or without lip (Rear Waste)

Transportable Homes
 Staff Showers
 Renovations
 Shed Showers
 Ablutions
 Pool Showers



Note: Drawings are a guide only.